



Consolite® Technology Ltd

St. Martins Business Park, Bells Lane, Zeals, Wiltshire, BA12 6LY, UK

Tel: +44 (0) 1747 840900 - E mail: sales@consolite.co.uk

Certified to ISO9001:2015

CTL-314 Automatic Emergency Lanterns, LED

A range of automatic emergency lanterns (AELs) based on LED technology.

Robust design and construction makes them suitable for the most challenging of environments.

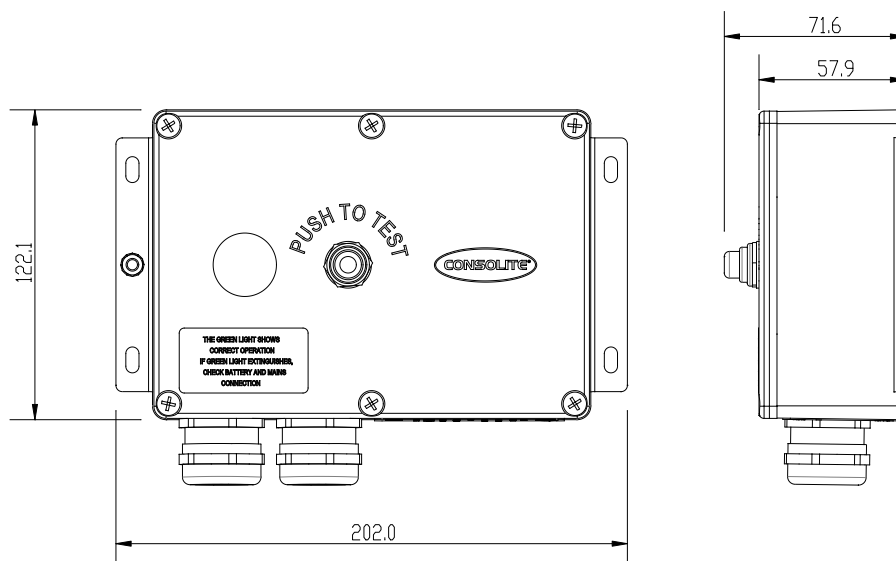
NVG compliant and EX variants available.

Features

- LED technology - low power, high reliability
- High output, neutral colour white light
- Rugged construction, extruded aluminium housing
- White powder coated finish for full protection
- 6 hours illumination on battery
- 16 hours to full charge
- Push to Test function

Options

- Rear or side connection
- NVG compatibility
- EX compliance Zone 2 IIB T4
- Remote lighting head
- 115V or 230V operation





Consolite® Technology Ltd

St. Martins Business Park, Bells Lane, Zeals, Wiltshire, BA12 6LY, UK

Tel: +44 (0) 1747 840900 - E mail: sales@consolite.co.uk

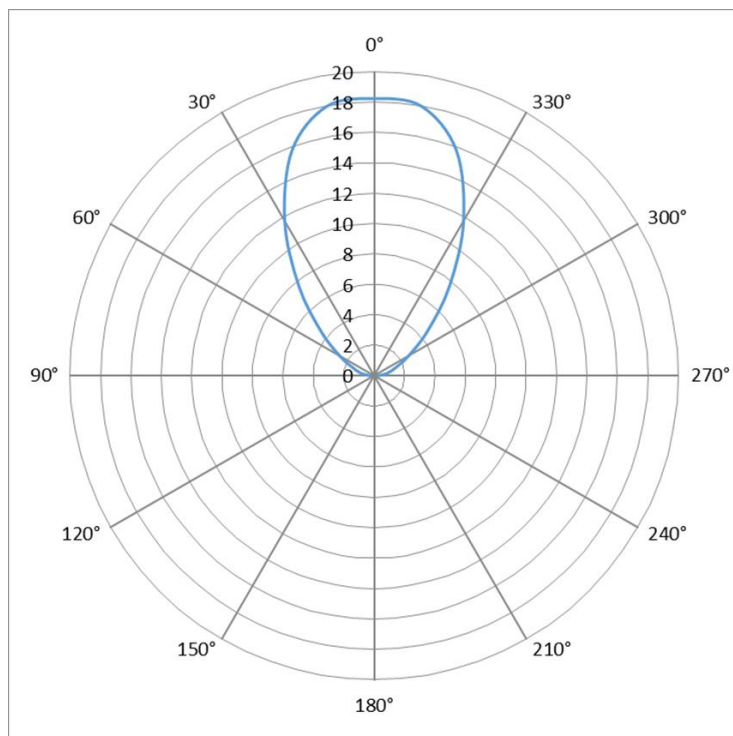
Certified to ISO9001:2015

Part Number Guide

P/No 115V AC	P/No 230V AC	Function	Output time on battery (hrs)	Charge time (hrs)	IP Rating	Dimensions (excl. cable glands) (mm)	Weight (kg)
CTL-314-001	CTL-314-006	AEL	6	16	67	202.0 x 122.1 x 71.6	1.2
CTL-314-002	CTL-314-007	AEL, NVG compliant	6	16	67	202.0 x 122.1 x 71.6	1.2
CTL-314-003	CTL-314-008	AEL, EX Zone 2 *	6	16	67	Drive box: 202.0 x 122.1 x 71.6 Light head: 139.7 x 65.0 x 57.9	1.2 0.4
CTL-314-005	CTL-314-009	AEL, rear connected	6	16	67	202.0 x 122.1 x 71.6	1.1

* ATEX variants use separate enclosures for the light head and a remote drive box.
Full details are on the relevant interface drawings

Light output distribution (cd)



IES/LDT files available on request

Standards

Compliant with:

NVG versions compliant IAW Def Stan 02-587 Part 3
EMC compliant IAW IEC 60945
Reliability analysis IAW MIL-HDBK-217 CN2
MIL-STD-810G Method 528
Electrical safety tested IAW BS EN 60598-1
Shock testing to be to MAP01-470 Grade AB

EX certified versions : II 3G Ex mc IIB T4 Gc

- BS EN 60079-0:2012 + A11:2013
- BS EN 60079-18:2009
- BS EN 60598-1:2015

Consolite is a long established leader in night vision lighting for military platforms, designing and manufacturing lighting for NVGs for over 25 years, including lighting for aircraft, ships and ground use.

Consolite's design facility permits the calculation of lighting requirements for any space from a single compartment to an entire ship.

Consolite's test facility includes the latest equipment required for testing night vision compliance to any relevant standard plus goniophotometric equipment for full 360 degree light characterisation of luminaire output.