



Consolite® Technology Ltd

St. Martins Business Park, Bells Lane, Zeals, Wiltshire, BA12 6LY, UK

Tel: +44 (0) 1747 840900 - E mail: sales@consolite.co.uk

Certified to ISO9001:2015

CTL-314 Automatic Emergency Lanterns, LED

A range of automatic emergency lanterns (AELs) based on LED technology.

Robust design and construction makes them suitable for the most challenging of environments.

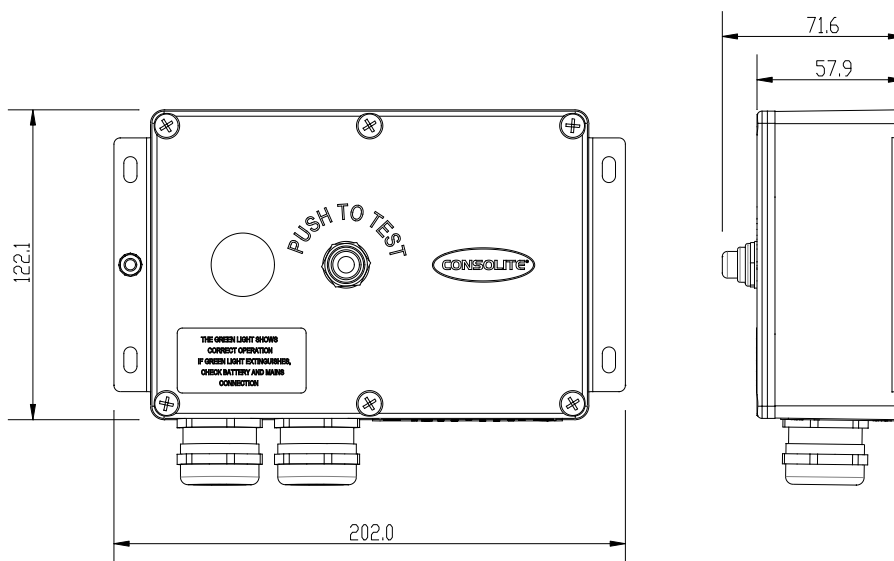
NVG compliant and EX variants available.

Features

LED technology - low power, high reliability
High output, neutral colour white light
Rugged construction, extruded aluminium housing
White powder coated finish for full protection
6 hours illumination on battery
16 hours to full charge, 115V 60Hz
Push to Test function

Options

Rear or side connection
NVG compatibility
EX compliance Zone 2 IIB T4
Remote lighting head





Consolite® Technology Ltd

St. Martins Business Park, Bells Lane, Zeals, Wiltshire, BA12 6LY, UK

Tel: +44 (0) 1747 840900 - E mail: sales@consolite.co.uk

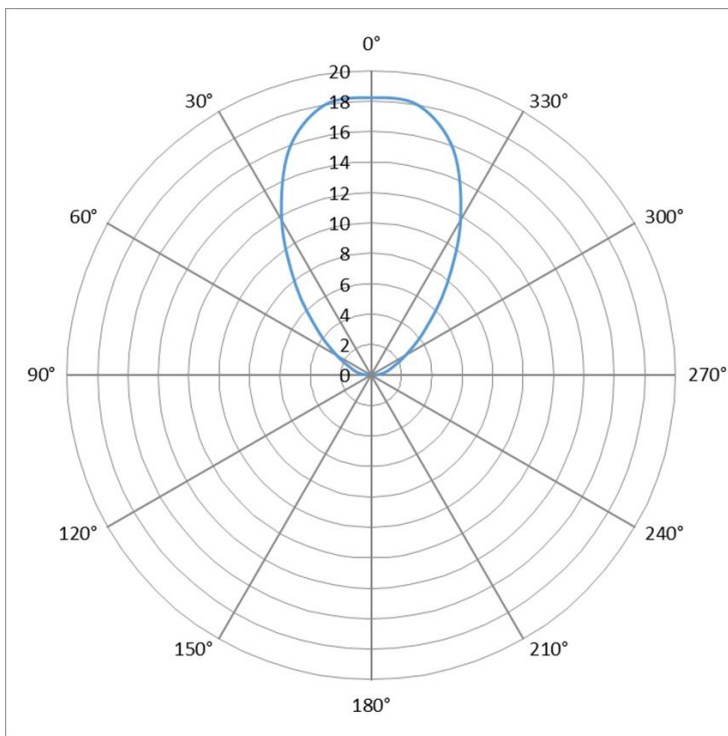
Certified to ISO9001:2015

Part Number Guide

P/No	Function	Output time on battery hrs	Charge time hrs at 115V	Voltage V AC	Dimensions mm	Weight kg
CTL-314-001	AEL	6	16	115	202.0 x 122.1 x 71.6*	1.2
CTL-314-002	AEL, NVG compliant	6	16	115	202.0 x 122.1 x 71.6*	1.2
CTL-314-003	AEL, EX Zone 2	6	16	115	Drive box: 202.0 x 122.1 x 71.6* Light head: 139.7 x 65.0 x 57.9*	2
CTL-314-005	AEL, rear connected	6	16	115	202.0 x 122.1 x 71.6*	1.1

* Excluding cable glands

Light output distribution (cd)



IES/LDT files available on request

Standards

Compliant with:

BS EN 60958

BS EN 60945

MIL-STD-810G Method 528

Consolite is a long established leader in night vision lighting for military platforms, designing and manufacturing lighting for NVGs for over 25 years, including lighting for aircraft, ships and ground use.

Consolite's design facility permits the calculation of lighting requirements for any space from a single compartment to an entire ship.

Consolite's test facility includes the latest equipment required for testing night vision compliance to any relevant standard plus goniophotometric equipment for full 360 degree light characterisation of luminaire output.