



Consolite® Technology Ltd

St. Martins Business Park, Bells Lane, Zeals, Wiltshire, BA12 6LY, UK

Tel: +44 (0) 1747 840900 - E mail: sales@consolite.co.uk

Certified to ISO9001:2015

CTL-426 Bunk Light, LED, Interior (Preliminary)

An encased bunk light fixture with adjustable white light. Robust steel design, with a dimming slider and 2 USB ports. Recessed for a minimum profile within confined spaces.

Features

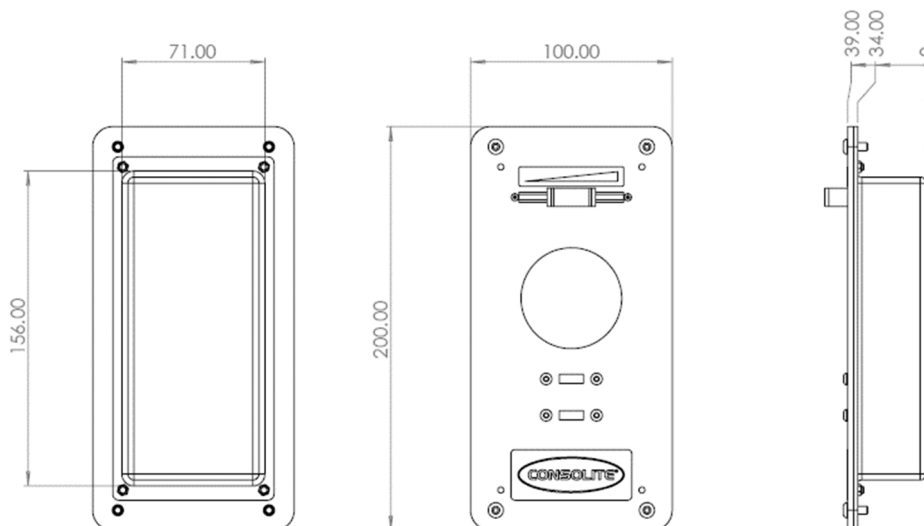
LED technology - low power, high reliability

Warm white light with adjustable output brightness, ideal for comfortable resting

Rugged construction, folded and painted stainless steel body

Designed to easily replace existing lights by using the same mounting points

2 USB ports for connecting and charging devices





Consolite® Technology Ltd

St. Martins Business Park, Bells Lane, Zeals, Wiltshire, BA12 6LY, UK

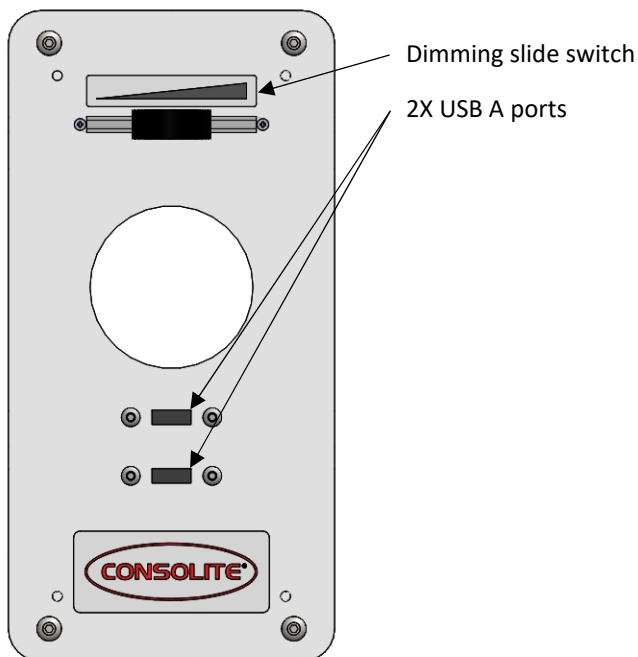
Tel: +44 (0) 1747 840900 - E mail: sales@consolite.co.uk

Certified to ISO9001:2015

Installation Data

Dimensions (mm)	100 x 200 x 39
Input Voltage (V)	115
Weight (kg)	< 2
Light Output	Warm white colour (3000K)
Material	Stainless Steel 316 Finished in Traffic White (RAL colour code 9016)
IP rating	22
Dimming Control	Controlled by 45mm slider, 100% - off

Feature Layout



Standards

- Safety tested to BS EN 62471:2008
- Environmental testing in accordance with
- BS EN 60598-1
- EMC compliant with DEF-STAN 59-411 and BS EN 55015
- Photometric testing compliant to BS EN 13032-4
- Photometric safety compliant to IEC 62778

Consolite is a long established leader in night vision lighting for military platforms, designing and manufacturing lighting for NVGs for over 25 years, including lighting for aircraft, ships and ground use.

Consolite's design facility permits the calculation of lighting requirements for any space from a single compartment to an entire ship.

Consolite's test facility includes the latest equipment required for testing night vision compliance to any relevant standard plus goniophotometric equipment for full 360 degree light characterisation of luminaire output.