



## Consolite® Technology Ltd

St. Martins Business Park, Bells Lane, Zeals, Wiltshire, BA12 6LY, UK

Tel: +44 (0) 1747 840900 - E mail: sales@consolite.co.uk

Certified to ISO9001:2015

### CTL-424 Recessed Ceiling LED Luminaire

A range of interior ceiling mounted, recessed, general lighting LED luminaires for a wide variety of applications, offering different lighting modes. Supplied with adjustable mounting brackets to fit a variety of ceiling types.

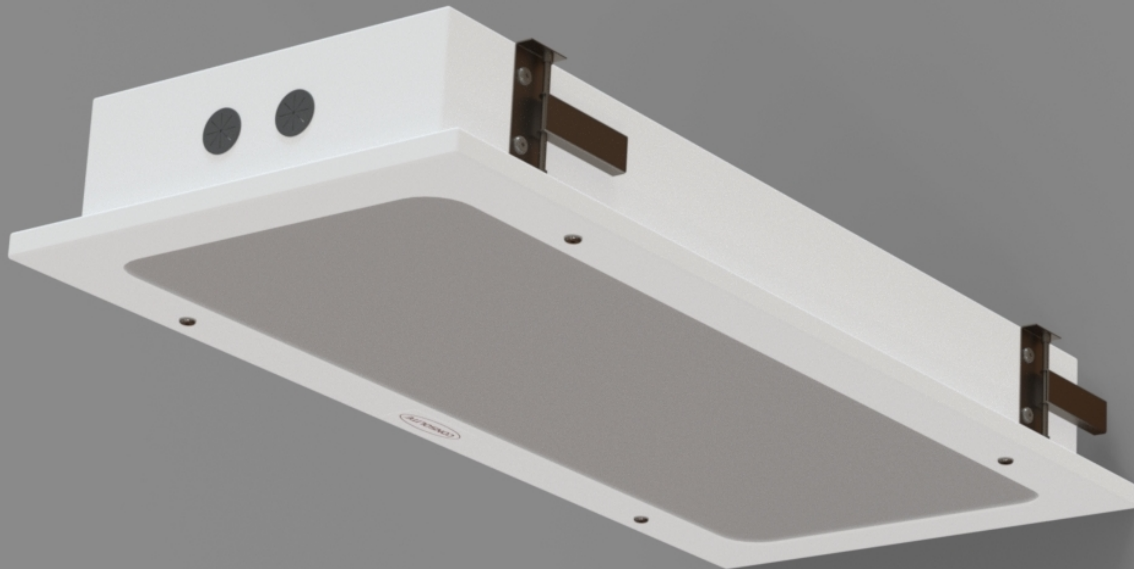
#### Features

LED technology - low power, high reliability  
High output, neutral colour white light  
Rugged construction, steel housing  
Swinging front panel for easy installation  
Recessed mounting in various ceiling types

#### Options

Second mode low level dark adaptation  
NVG compatibility  
115V or 230V AC  
Standard sizes to replace existing lighting fixtures  
Available in 316 Stainless Steel for food preparation areas

Two sizes broadly match the outputs of 2 x 18W and 2 x 26W fluorescent units. Smaller size shown below:



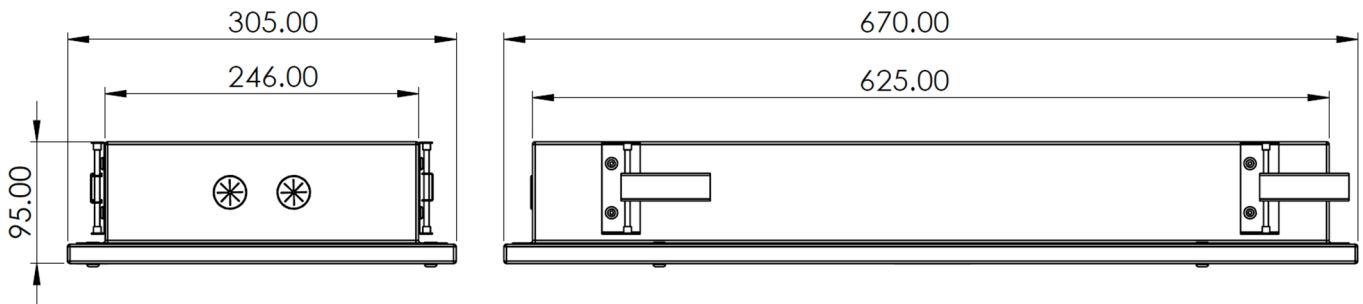


## Consolite® Technology Ltd

St. Martins Business Park, Bells Lane, Zeals, Wiltshire, BA12 6LY, UK

Tel: +44 (0) 1747 840900 - E mail: sales@consolite.co.uk

Certified to ISO9001:2015



### Part Number Guide

P/No	Function	Equivalent fluorescent	Output (lm)	IP	Voltage V AC	Power W	Dims* mm	Weight kg
CTL-424-001	Single mode – bright white	2 x 18W	1800	23	115	25	670 x 246 x 95	2.5
CTL-424-002	Dual mode – bright white/LLW NVG	2 x 18W	1800	23	115	25	670 x 246 x 95	2.5
CTL-424-010	Single mode – bright white	2 x 36W	3600	23	115	48	1280 x 246 x 95	4.5
CTL-424-011	Dual mode – bright white/LLW NVG	2 x 36W	3600	23	115	48	1280 x 246 x 95	4.5
CTL-424-101	Single mode – bright white, 316 StSt	2 x 18W	1800	44	115	25	670 x 246 x 95	2.5
CTL-424-102	Dual mode – bright white/LLW NVG, 316 StSt	2 x 18W	1800	44	115	25	670 x 246 x 95	2.5
CTL-424-110	Single mode – bright white, 316 StSt	2 x 36W	3600	44	115	48	1280 x 246 x 95	4.5
CTL-424-111	Dual mode – bright white/LLW NVG, 316 StSt	2 x 36W	3600	44	115	48	1280 x 246 x 95	4.5

Other options available on request

\* Overall dimensions excluding mounting brackets

### Standards

Electrical safety: EN60598

EMC: DEF STAN 59-411

Photobiological: EN62778 / 62471

Environmental: EN60598 & EN60529

### Light output distribution

IES/LDT files available on request

Consolite is a long established leader in night vision lighting for military platforms, designing and manufacturing lighting systems for NVGs for over 25 years, including lighting for aircraft, ships and ground use.

Consolite's design facility permits the calculation of lighting requirements for spaces from a single compartment to an entire ship.

Consolite's test facility includes the latest equipment required for testing night vision compliance to any relevant standard plus goniophotometric equipment for full 360 degree light characterisation of luminaire output.