



## Consolite® Technology Ltd

St. Martins Business Park, Bells Lane, Zeals, Wiltshire, BA12 6LY, UK

Tel: +44 (0) 1747 840900 - E mail: sales@consolite.co.uk

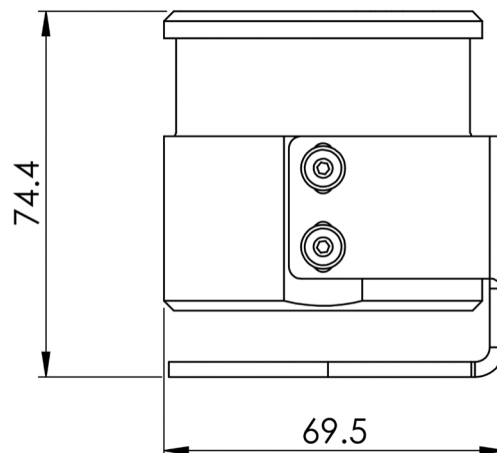
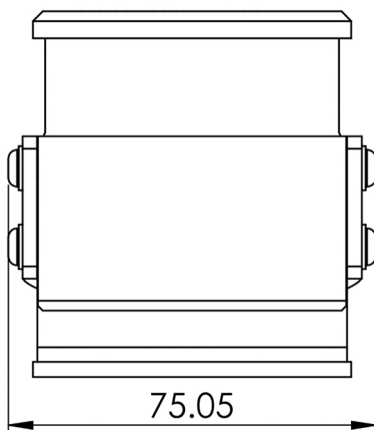
www.consolite.co.uk Certified to ISO9001:2008

### CTL-340 Navigation Lights, Small Boat, LED

LED based navigation lights suitable for small craft up to 20m and 50m in length. Robust design and construction makes them suitable for the most challenging of environments. Careful selection and control of LED wavelengths and outputs means they are fully night vision goggle compatible while retaining compliance with COLREG requirements.

LED technology - low power, high reliability  
COLREG compliant – intensity and colour  
Night vision goggle (NVG) compliant  
Extremely rugged metal construction

Anodised for full protection  
IP68 rated for full weatherproofing  
Simple installation – just connect to 24V DC  
Full range of light types



Dims in mm.



## Consolite® Technology Ltd

St. Martins Business Park, Bells Lane, Zeals, Wiltshire, BA12 6LY, UK

Tel: +44 (0) 1747 840900 - E mail: sales@consolite.co.uk

www.consolite.co.uk Certified to ISO9001:2008

### Part Number Guide

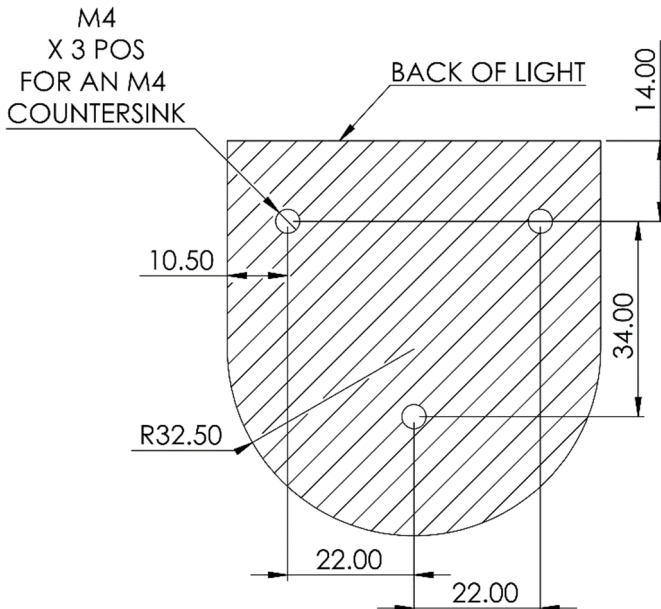
P/No	Function	Colour	Visible angle	Range n.m.	IP Rating	Voltage V DC	Power W	Weight kg
CTL-340-002	Port	Red	112.5°	> 2	68	24	1.1	< 0.5
CTL-340-003	Starboard	Green	112.5°	> 2	68	24	0.6	< 0.5
CTL-340-004	Stern	White	135°	> 2	68	24	0.6	< 0.5
CTL-340-005 *	Masthead	White	225°	> 3	68	24	0.9	< 0.5
CTL-340-006	Anchor	White	360°	> 2	68	24	0.9	< 0.5

\* Higher output version for 50m craft also available. Other lights are suitable for 20m or 50m vessels.

Chromaticity and photopic intensity distribution are tested for compliance with COLREG 1972 requirements.

NVG compatibility is tested for compliance with UK Def Stan 02-587 Part 3.

### Mounting hole positions



Consolite also offers a complete range of fully certified LED NVG compliant navigation lights, with control system, suitable for larger vessels.

Consolite is a long established leader in night vision lighting for military platforms, designing and manufacturing lighting for NVGs for over 25 years, including lighting for aircraft, ships and ground use.